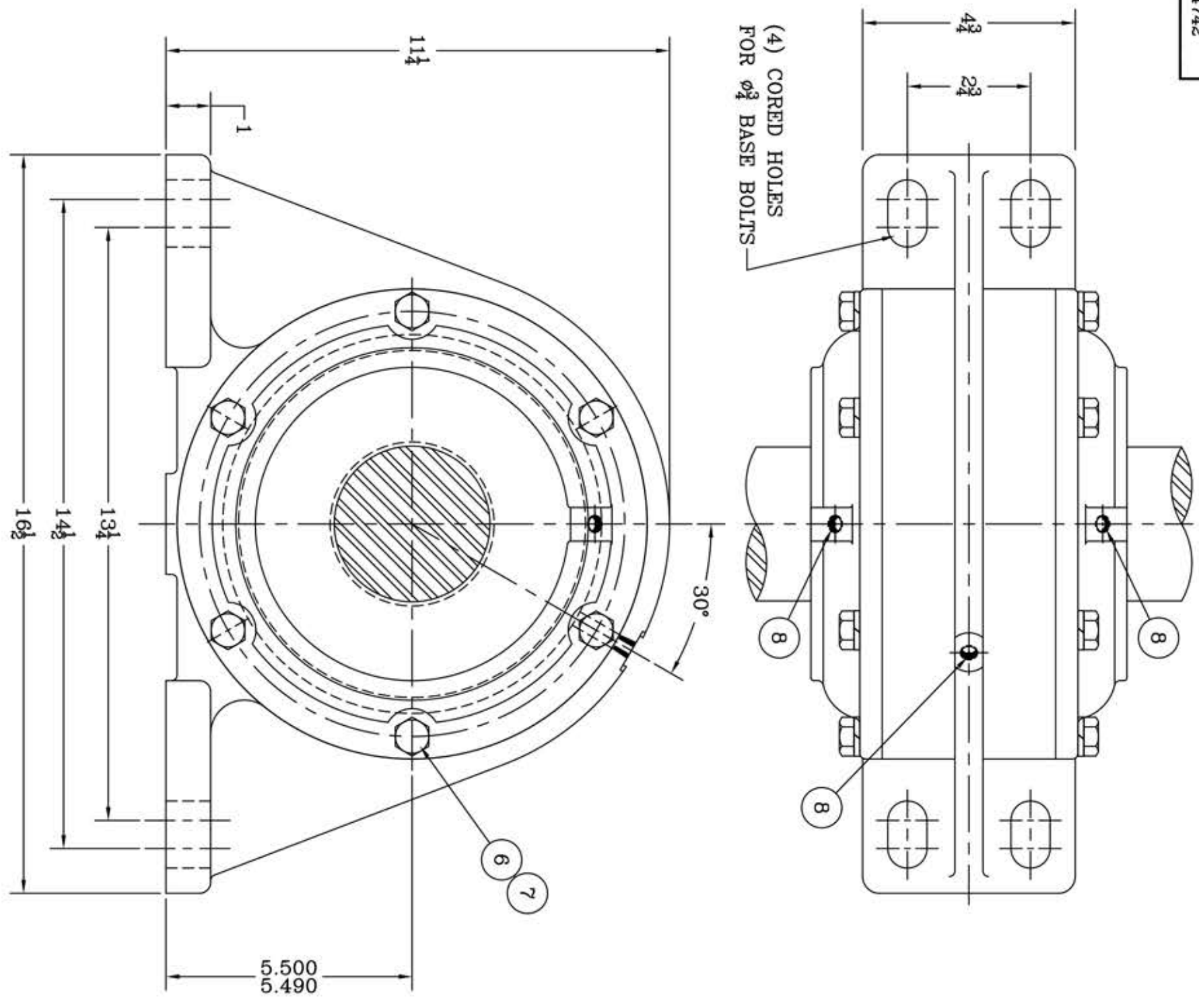


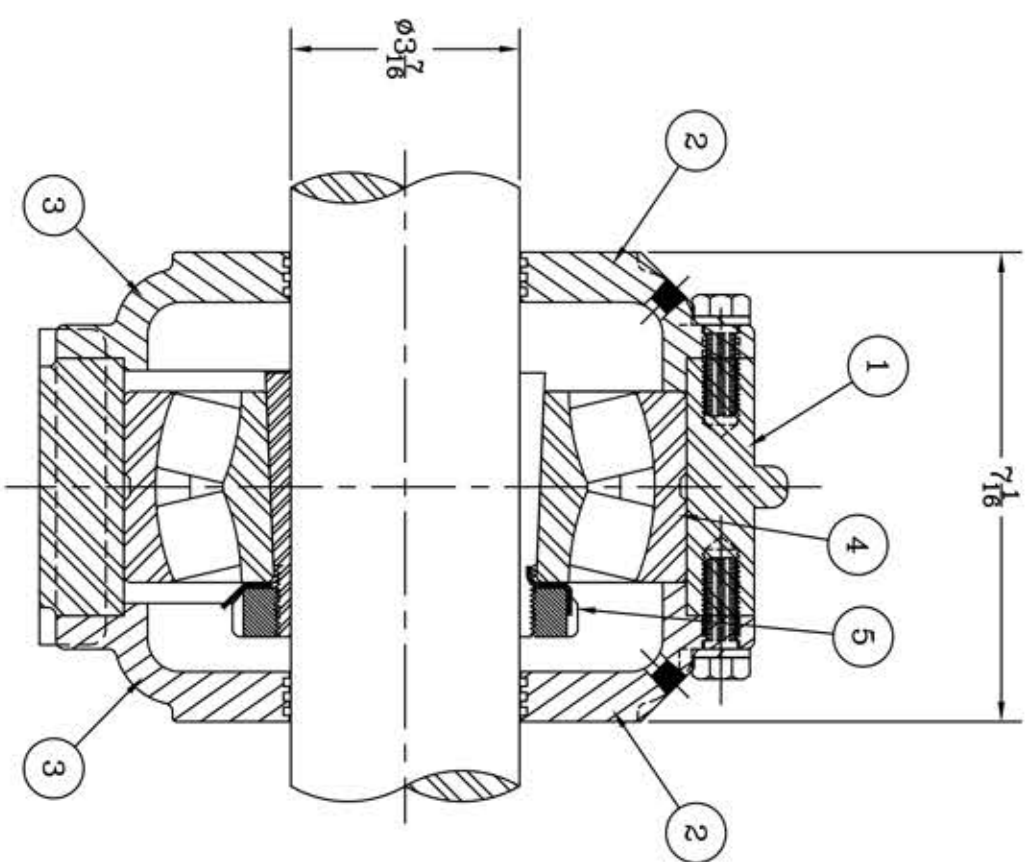
This drawing is the sole property of Miether Bearing Products and contains confidential and proprietary information. It is being provided to you for your use and may not be disclosed to any third party or used for any other purpose without Miether's prior written consent. The [materials] must be returned to the Company upon its demand. Your acceptance of these materials constitutes your acceptance of the foregoing terms.

C-14742



(4) CORED HOLES FOR  $\phi 3/4$  BASE BOLTS

ITEM	DESCRIPTION	DETAIL	REQUIRED
			N EXP EXP.
1	HOUSING M3003	C-03003	1 1
2	ENDCAP F3426 NEL	C-22778	2 0
3	ENDCAP F3427 EL	C-22778	0 2
4	SPHERICAL ROLLER BEARING	22320K/W-33	1 1
5	ADAPTER SNW-120 03-07	24385	1 1
6	CAP BOLT HEX. HEAD	$\frac{1}{2}$ -13 NC x $1\frac{1}{2}$ LONG	12 12
7	LOCKWASHER	$\frac{1}{2}$ SPLIT MED.	12 12
8	PIPE PLUG	$\frac{1}{2}$ -27 NPT	3 3



REDRAWN ON COMPUTER  
RWB per KAB  
8-20-99

REVISIONS

SYMBOL	DESCRIPTION
C	16
D	32
E	63
F	125
G	250
J	500
K	1000

TOLERANCE: UNLESS OTHERWISE SPECIFIED  
FRACTIONS  $\pm 1/32$ " ANGLES  $\pm 0^\circ 30'$   
DECIMALS  $\pm .005$  WELD  $\pm 1/16$ "  
CASTING  $\pm 1/16$ "  
A.I.S.I. STANDARD FINISHES

AN ALCO INDUSTRIES COMPANY  
BEARING PRODUCTS  
ODESSA, TX. USA

MMW 22620 03-07  
ASSEMBLY DRAWING

SCALE HALF  
DRAWN CJ  
DATE 7-27-71  
CHK:

ASSEMBLY NO.  
DRAWING NO.  
C-14742